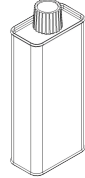
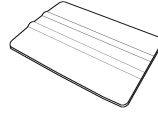
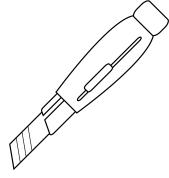
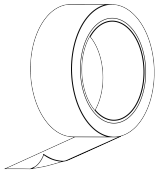
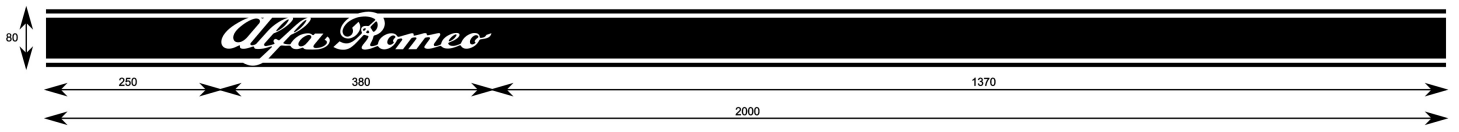
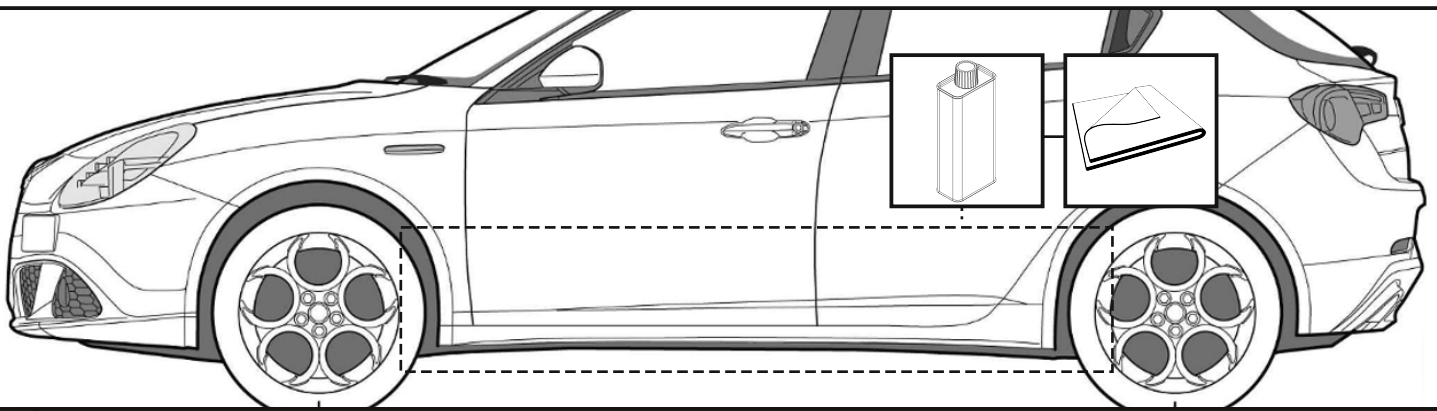


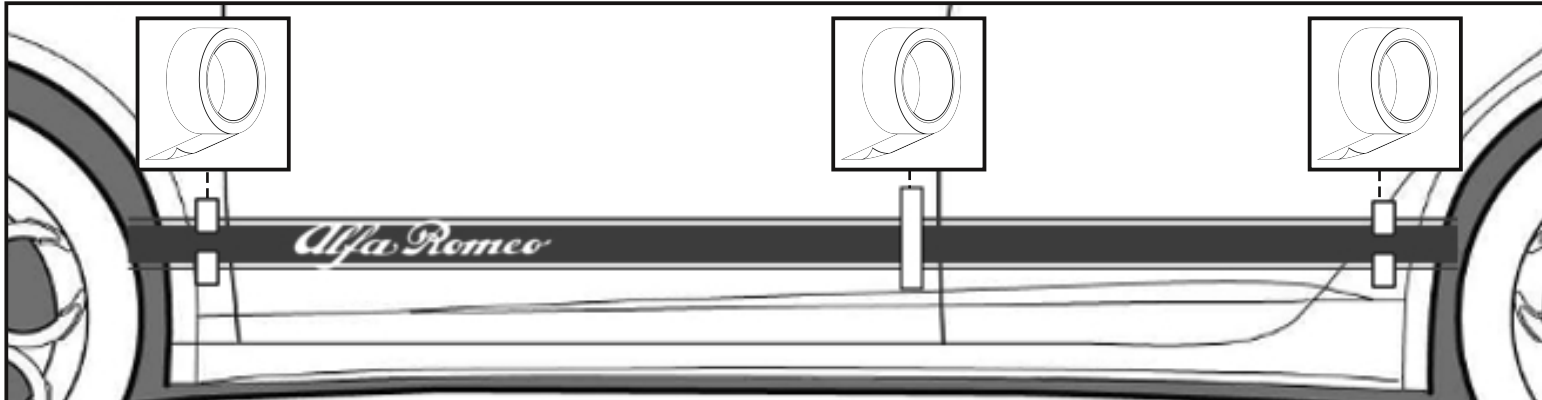
## Application Instruction "Signatura Alfa Romeo" striping



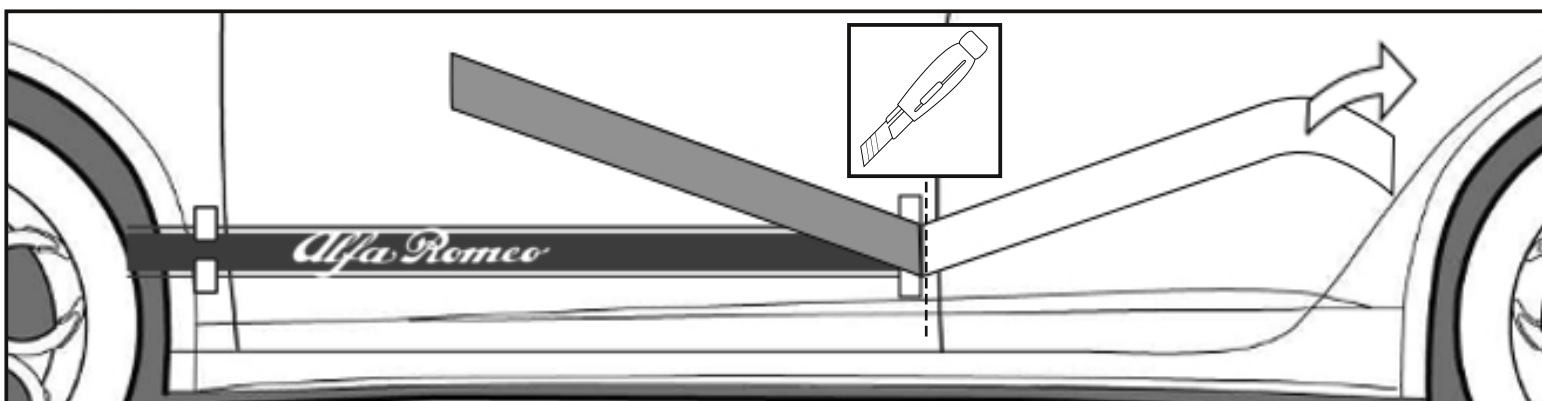
Contents: set (left and right) of "Signatura Alfa Romeo" vinyl graphics and a squeegee tool for application. Required tools: masking tape, razor sharp knife, squeegee tool, microfiber cloth and IPA (isopropanol alcohol) cleaner.



**1** Wash the surface with water to remove all dirt and grime. Degrease the designated area thoroughly with IPA cleaner, dry wipe the surface with a clean and dry microfiber cloth before the solvent evaporates.

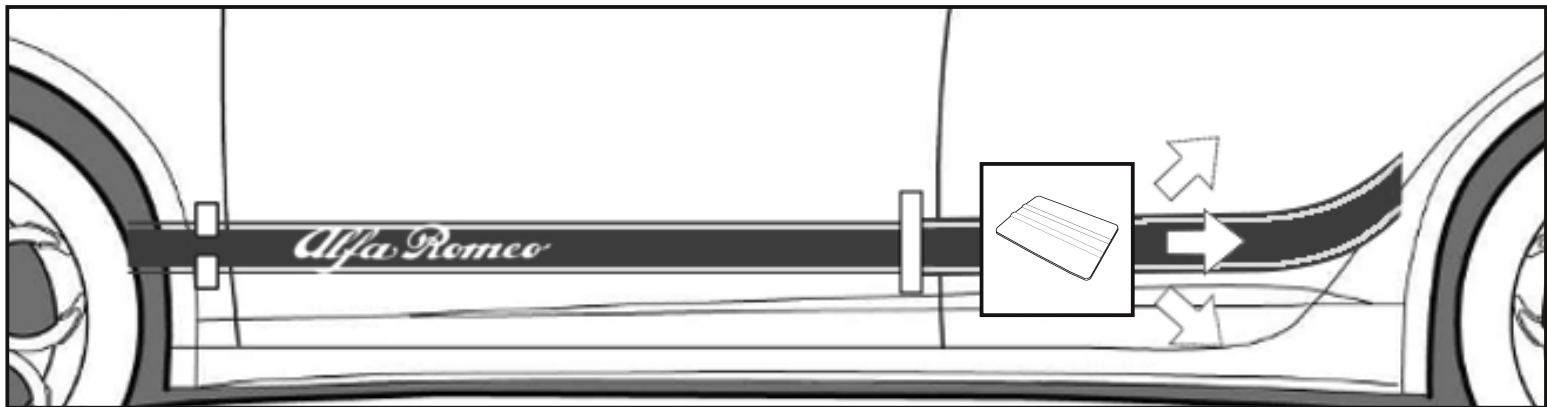


**2** Make sure the surface is completely clean, smooth and dry. Position the graphics and fix with masking tape. Put a piece of masking tape in the center to act as a hinge. Check the position from a distance to see if it's OK.

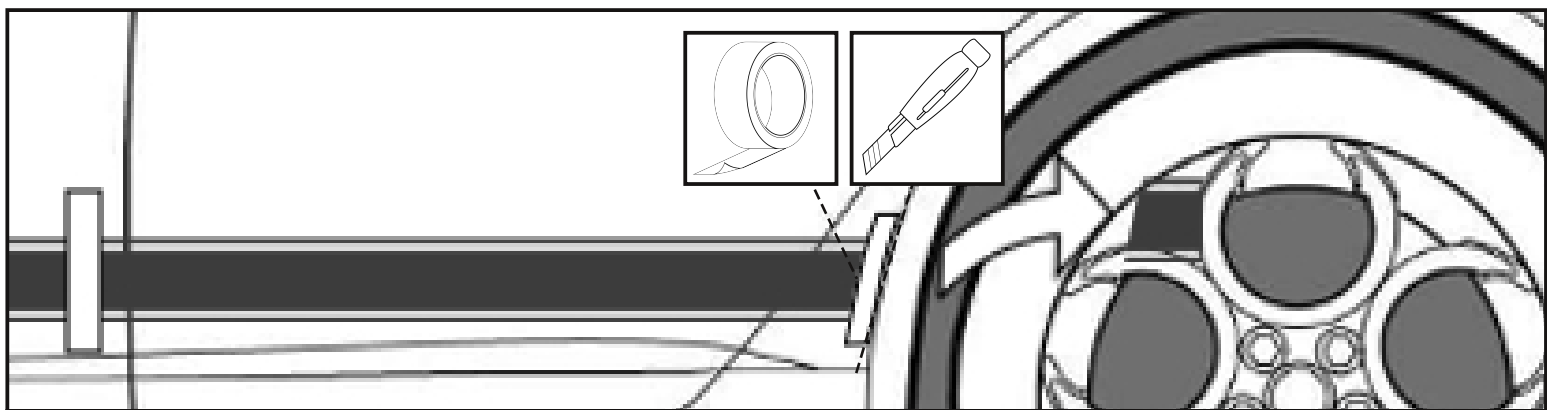


**3** Lift up half of the graphics and peel the paper backing off. Cut the backing paper at the center hinge and remove it. Meanwhile make sure the adhesive layer of the graphics stays clean and dry.

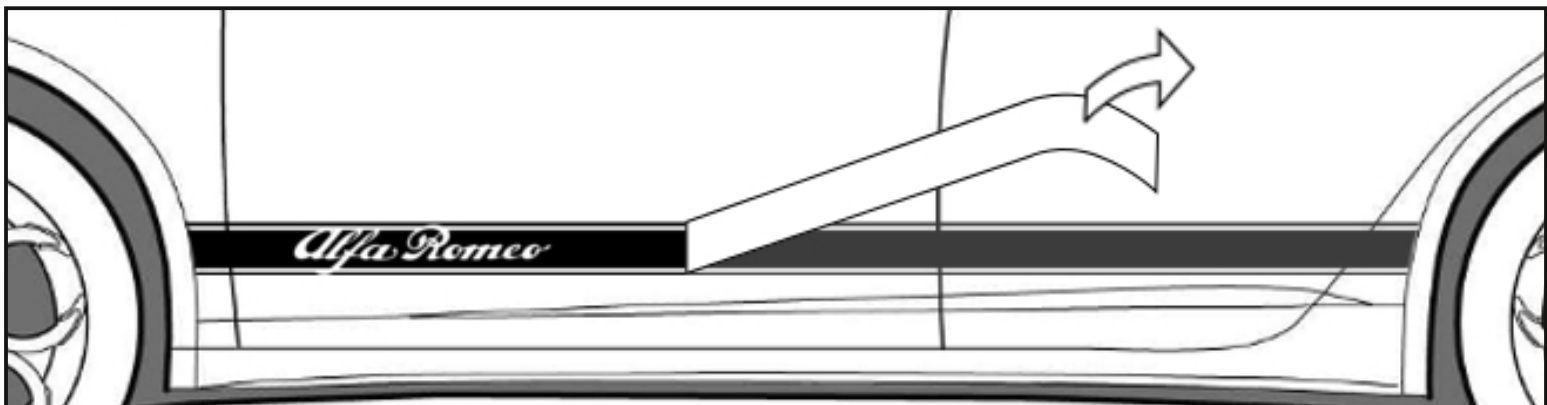
## Application Instruction "Signatura Alfa Romeo" striping



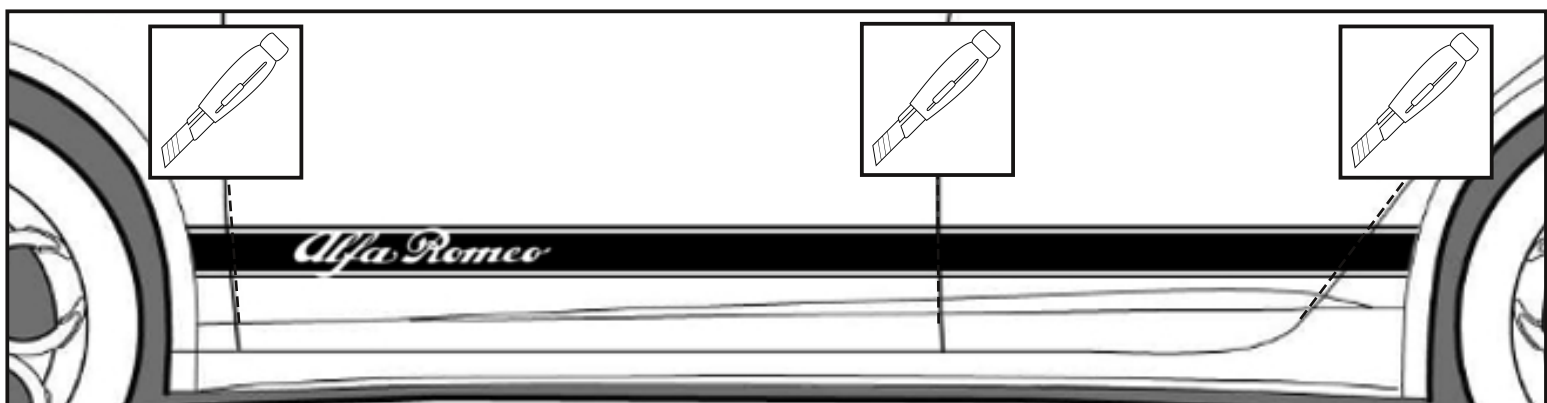
- 4** Lower the graphics on the surface from the center to the edge and use the squeegee tool to smooth it. Work from inside to outside, and push any air bubbles out.



- 5** Indicate the cutting line with masking tape. Put a piece of cardboard behind the graphics to protect the paintwork. Use a razor sharp cutting knife to cut the graphics in the desired size and position.



- 6** Repeat steps 3-5 for the other side and smooth the entire graphics one more time. Remove the transparent application tape slowly making sure the graphics stay properly attached to the surface.



- 7** Cut the graphics at the door openings and fold the excess vinyl inward around the edges. Confirm the graphics are firmly attached around the edges and puncture any air bubbles trapped under the vinyl. Enjoy the result!