

**AutoPerforma**  
v i s u a l   p e r f o r m a n c e

**MITO**



**Installation instruction  
bodykit "Trofeo"  
for Alfa Romeo MiTo (all versions)**

**product number: 0100003010**

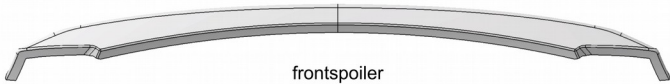
document version: 2.00  
© AutoPerforma 2014



sideskirt left



sideskirt right



frontspoiler



4x washer



4x clips



2x screw



2x screw



2x spacer



2x spacer

1a

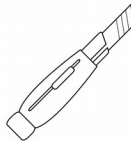
Check the contents of the kit, should a part be missing contact AutoPerforma.



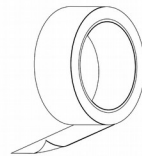
plastic adhesive



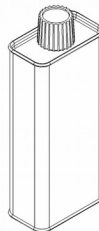
screwdriver



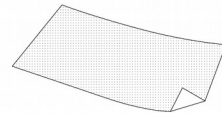
cutting knife



tape



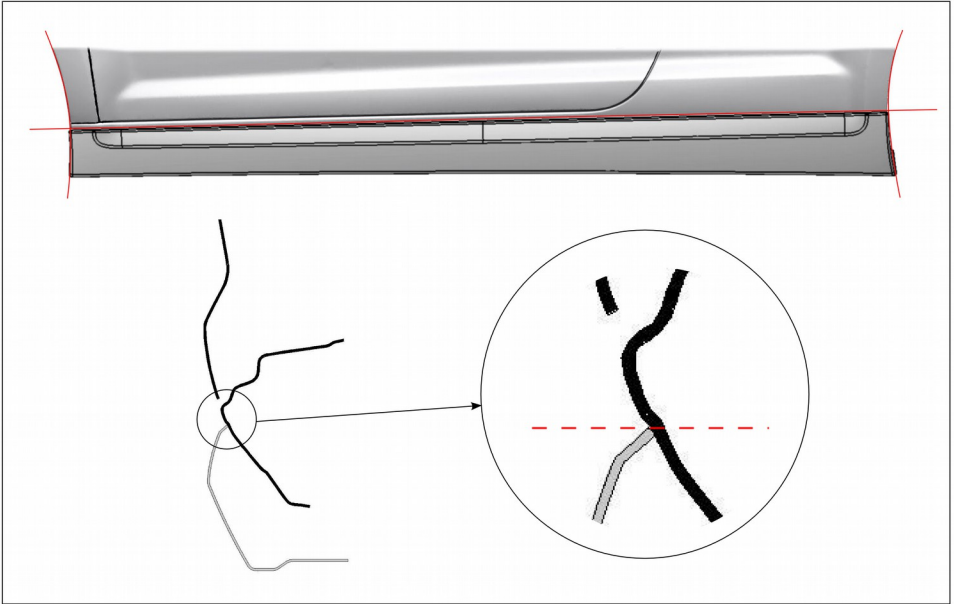
plastic cleaner



sanding paper

1b

Required tools and materials (not included in kit). Use a high elastic plastic adhesive suited for automotive applications like Betalink K1 or Sikaflex 221.



**2a**

Check correct fit of sideskirts before painting, fine tune the fit using sandpaper if necessary. The correct mounting height of the sideskirt is just below the sharp edge in the sill.



**2b**

Check correct fit of frontspoiler before painting, fine tune the fit using sandpaper if necessary.

**Paint instructions:**

1. Clean the parts with a plastics cleaner to remove any mold release agent.
2. Check for any imperfections, use filler to smooth the surfaces if necessary.
3. Roughen the surfaces of the parts using very fine sanding paper or a scuff pad.
3. Clean the abraded surfaces with a plastics cleaner.
4. Apply a plastics primer, let it air dry completely.
5. Apply the paint in several layers, followed by a layer of clear coat if applicable.
6. Let the paint air dry at room temperature.



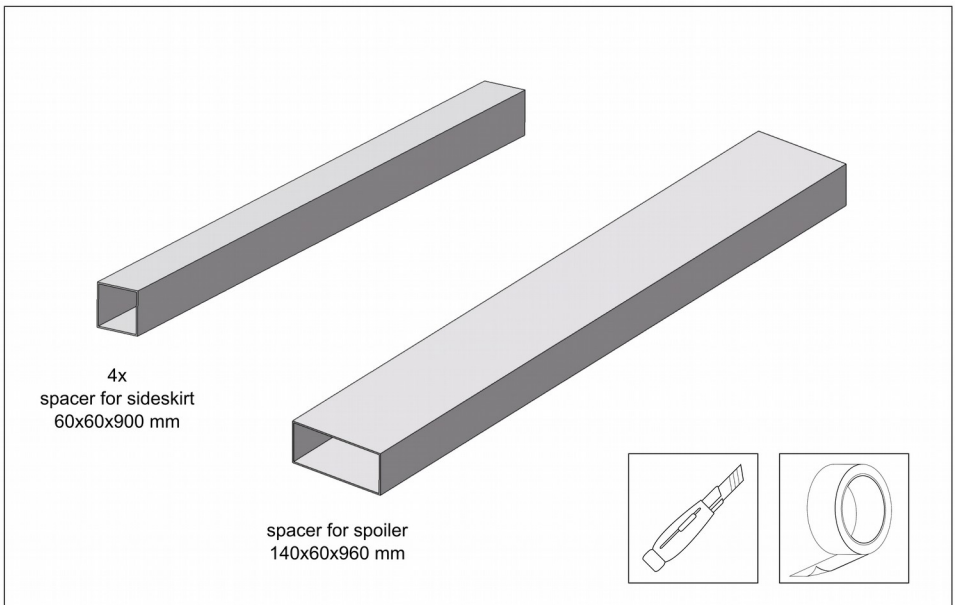
**Precautions:**

- Use a paint that does not react with ABS plastic in any way, check the paint's specifications.
- ABS is a thermoplastic material that should not be heated, let the paint dry at room temperature
- Paint the parts in a dust free, well conditioned and ventilated environment.
- For best results paint the parts in a professional paintshop by a professional painter.
- These instructions are indicative, always refer to the product specifications of the chosen paint.



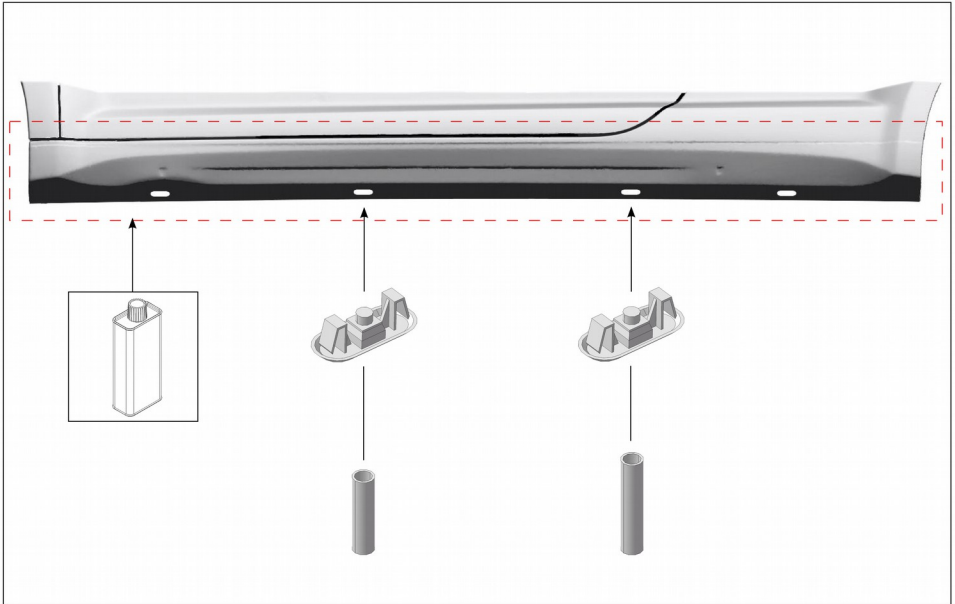
**3a**

Paint the sideskirts and the spoiler in the desired colour following these instructions and precautions.

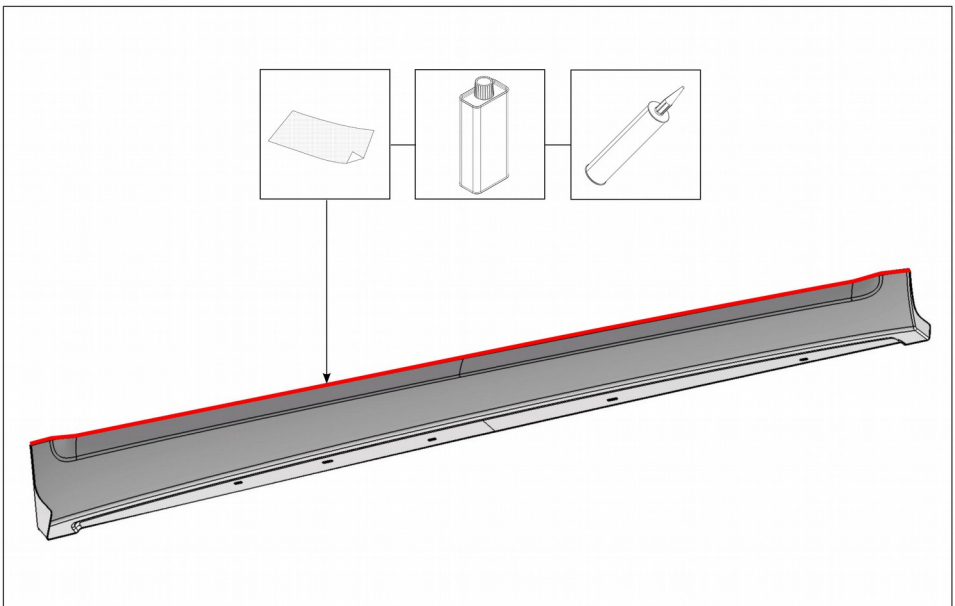


**3b**

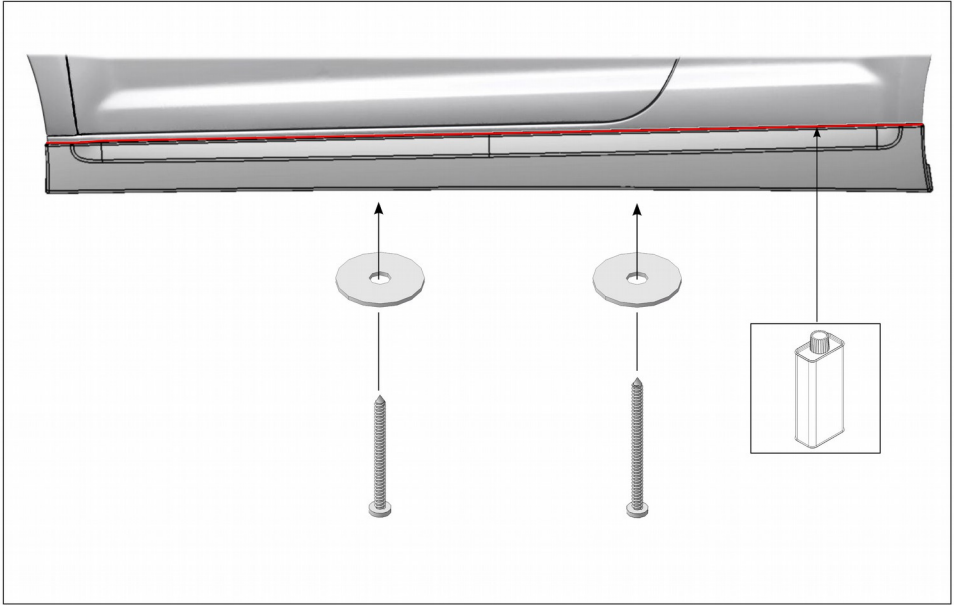
Make spacers from the cardboard box to assist in the fitting of the parts. Alternative materials (wood or foam blocks) may also be used.



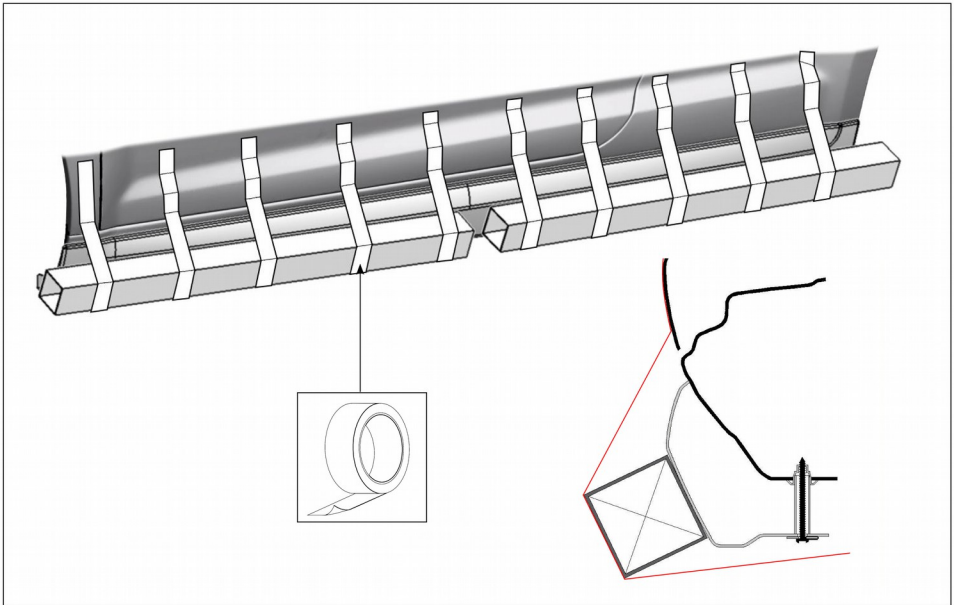
**4a** Clean the sills thoroughly. Remove the rubber plugs from the sill and insert the clips and spacers on the indicated position. Shorten the spacers by 4 mm if the car is equipped with an undertray.



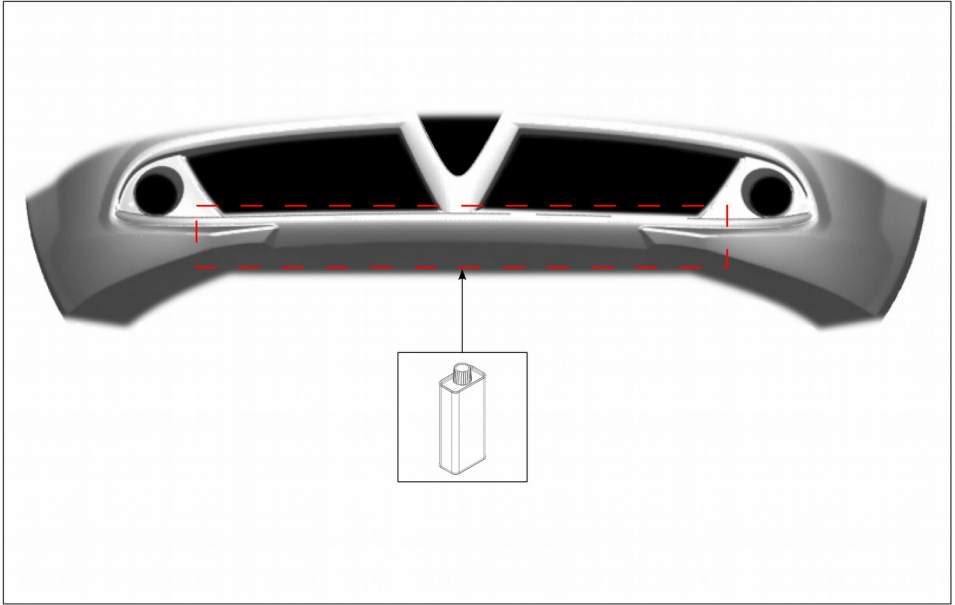
**4b** Sand and clean the indicated edge of the sideskirt. Apply adhesive according to the product specifications and instructions.



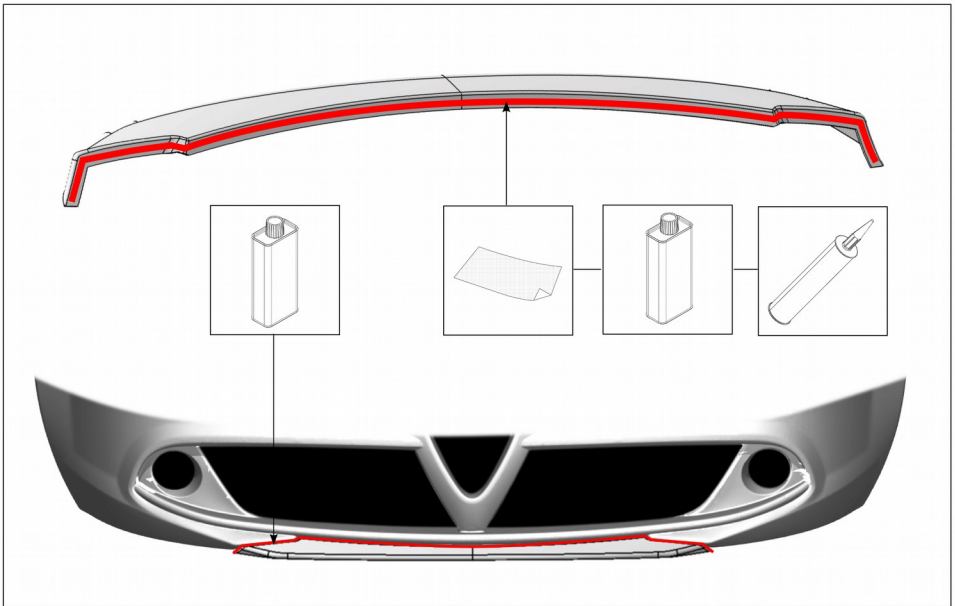
**4c** Position the sideskirt correctly and then press firmly until there is no gap left between the skirt and the sill. Secure the correct position by tightening the screws. Clean any excessive adhesive immediately after fitting.



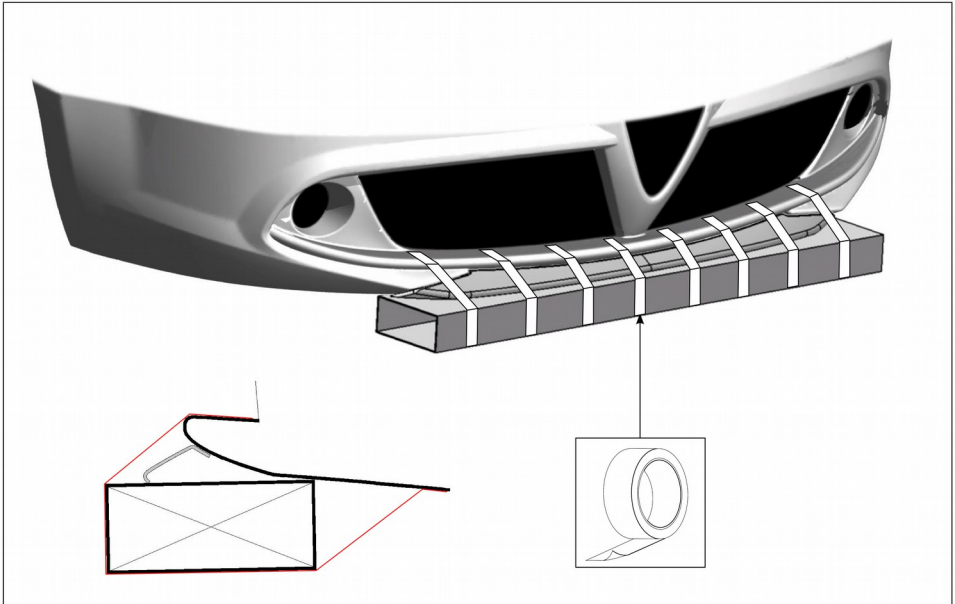
**4d** Use spacers and tape to apply constant pressure to the sideskirt while the adhesive hardens. Do not put any tape on the sideskirt itself. Let the adhesive harden completely before removing the tape.



**5a** Clean the indicated area of the front bumper thoroughly.



**5b** Sand and clean the indicated edge of the spoiler. Apply adhesive according to the product specifications and instructions. Firmly press the spoiler to the front bumper, clean any excessive adhesive instantly.



5c

Use spacer and tape to apply constant pressure to the spoiler while the adhesive hardens. Do not put any tape on the spoiler itself. Let the adhesive harden completely before removing the tape.



**12 Hours: do not move the car**



**24 Hours: do not drive the car fast**



**48 Hours: do not wash the car**

6a

Respect these precautions after fitting the bodykit to guarantee a solid fixing of the parts to the car.